

VFV Series

Revolutionary IP65 weather-proof LED fittings delivering class-leading performance. Advanced design of polycarbonate diffuse integrated with lighting tray providing significant savings on installation and maintenance.



APPLICATIONS

- Wet areas
- Outside walkways
- Warehouses
- Storage areas
- Industrial units
- Farm buildings (Non-corrosive atmosphere)
- Garages
- Workshops
- Car parks
- Changing rooms
- Resistant to impact and many chemical agents, but for suitability in specific environments please take specialist advice

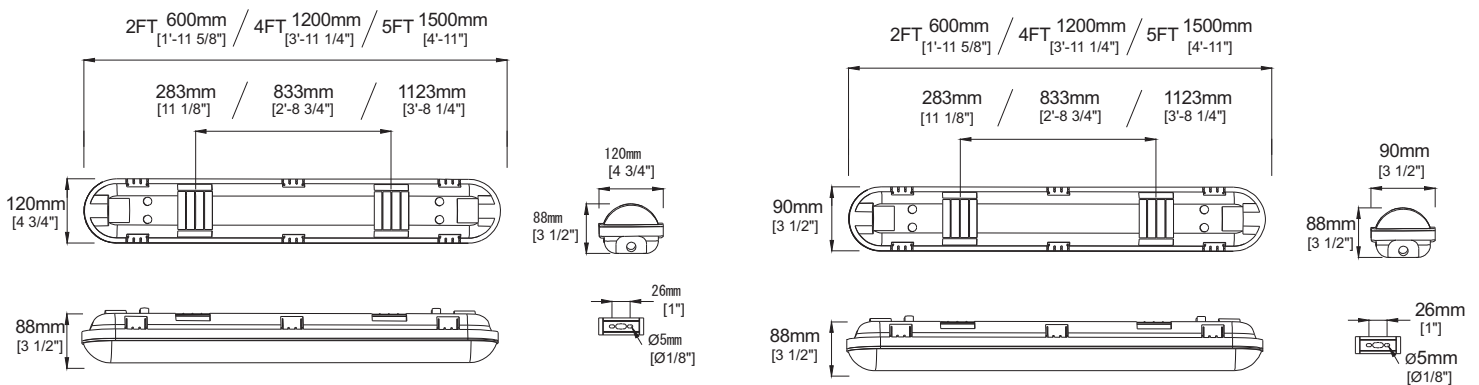
CONSTRUCTION

- Grey coloured polycarbonate
- Polycarbonate diffuser integrated with powder coated lighting tray
- Stainless steel clips
- Reinforced drill points in base for direct surface fixing, or conduit suspension.
- Stainless steel surface mounting clips
- Can also be suspended from wire/chain using clips provided

FEATURES

- Options clear/opal shatter-proof polycarbonate diffuser
- Full range of lengths, wattages and lumen package
- **600 (2ft)**
 - Single 20W, 2,780 lm(Clear), 2,570 lm(Opal)
 - Twin 30W, 4,175 lm(Clear), 3,850 lm(Opal)
- **1200 (4ft)**
 - Single 30W, 4,175 lm(Clear), 3,850 lm(Opal)Non-dimmable
 - Single 40W, 5,580 lm(Clear), 5,176 lm(Opal)0-10V dimmable
 - Twin 50W, 6,990 lm(Clear), 6,430 lm(Opal)
- **1500 (5ft)**
 - Single 60W, 8,320 lm(Clear), 7,750 lm(Opal)
 - Twin 70W, 9,750 lm(Clear), 9,010 lm(Opal)
- ENEC approved, 50,000 hours rated, flicker-free driver
- PF > 0.9

DIMENSION:(mm/in)



VFV Series

TECHNICAL SPECIFICATION

- Input Voltage: 200-240VAC
- Driver Type: ENEC Approved Flicker-Fredd
- Luminous Efficacy: up to 140lm/w
- Colour Rendering Index: > 80Ra
- LED Type: LM80 SMD2835
- Operating Temperature: -20°C up to 45°C
- Color Temperature: 3000K/4000K/5000K/5500K/6000K/6500K
- Material: Polycarbonate Body & Diffuser
- Ingress Protection: IP65
- Impact Rating: IK08
- Rated Life: 50,000 hours
- Warranty: 5 years

VFV $\frac{X}{1}$ $\frac{X}{2}$ - $\frac{X}{3}$ $\frac{X}{4}$ $\frac{X}{5}$ $\frac{X}{6}$

e.g. VFV $\frac{S}{1}$ $\frac{2F}{2}$ - $\frac{30K}{3}$ $\frac{FP}{4}$ $\frac{S}{5}$ $\frac{S}{6}$

- 1.Casing Type (S:Single / D:Twin)
- 2.Casing Length (2F:600mm / 4F:1200mm / 5F:1500mm)
- 3.CCT (30K:3000k / 40K:4000K / 50K:5000K / 55K:5500K / 60K 6000K / 65K 6500K)
- 4.Diffuse Type (F:Frosted / C:Clear)
- 5.Dimming Type (P:0-10V / S:Non-dimmable)
- 6.Power Type (S Power to Singel End D Power to Double End-Loop In/Out)

Produce Code	VFVS2F-XXXXXX	VFVD2F-XXXXXX	VFVS4F-XXXXSX	VFVS4F-XXXXPX	VFVD4F-XXXXXX	VFVS5F-XXXXXX	VFVD5F-XXXXXX
Compara le to	2x18W T8	2x18W T8	2x18W T8	2x36W T8	2x36W T8	2x58W T8	2x58W T8
Total Power (W)	20	30	30	40	50	60	70
Total Light Output (lm)	2,570 lm(Opal)	3,850 lm(Opal)	3,850 lm(Opal)	5,176 lm(Opal)	6,430 lm(Opal)	7,750 lm(Opal)	9,010 lm(Opal)
Efficacy (lm/w)	128.5	128.3	129.4	129.4	128.6	129.2	128.7
Total Light Output(lm)	2,780 lm(Clear)	4,175 lm(Clear)	4,175 lm(Clear)	5,580 lm(Clear)	6,990 lm(Clear)	8,210 lm(Clear)	9,750 lm(Clear)
Efficacy (lm/w)	139.5	139.2	139.5	139.5	139.8	136.8	139.3
Output Current (mA)	500	750	750	1000	1250	1400	1800
Net Weight (kg)	0.93	1.11	1.68	1.68	2.10	1.98	2.78
QTY Carton (piece)	9	6	9	9	6	6	6
Dimension Carton (mm)	630x300x290	630x275x305	1230x300x290	1230x300x290	1230x275x305	1530x300x200	1530x405x210
Weight Carton (kg)	9.6	7.6	16.9	16.9	14.4	13.7	18.6

Other diagrams available on request

Cone illuminance Diagram:

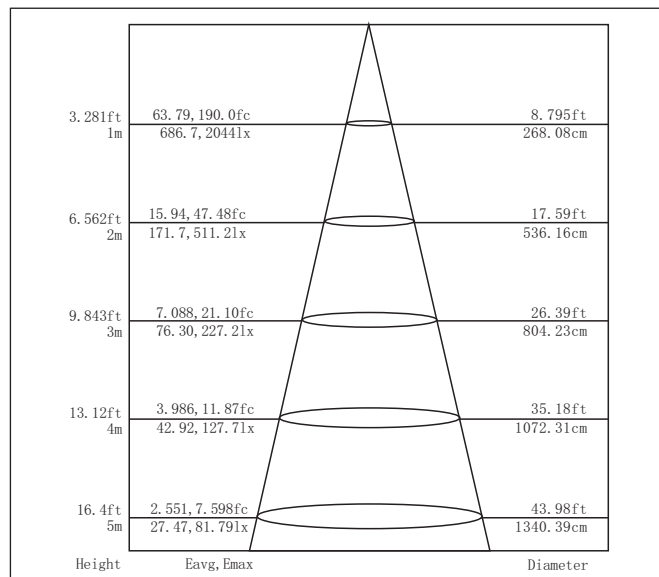
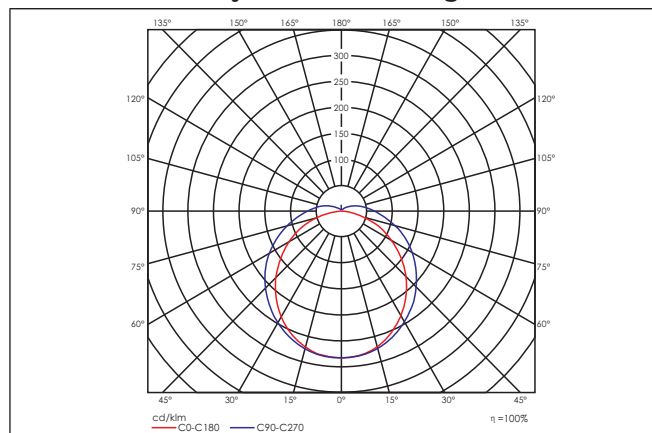


Diagram for VFVD4F-40KFPS
VFV Series 1200/4FT 50W 4000K Opal Diffuser
Other diagrams available on request

Luminous Intensity Distribution Diagram:





VFV Series

The IP65 non-corrosive that outperforms its competitors



GOOD THERMAL MANAGEMENT. Top of the range TUV approved flicker-free driver installed on separate heat sink gear tray for good thermal management and long-life.



ALL-POLYCARBONATE CONSTRUCTION. V0 fire retardant polycarbonate ensure high standard of safety and maximum impact rate of IK08.

REVOLUTIONARY DESIGN. Advanced design of polycarbonate diffuse integrated with lighting tray provide significant protection on LEDs and saving on installation and maintenance.



MICRO-WAVE & EMERGENCY AVAILABLE.
Suitable for various kinds of applications.

WARNING :

- The light source contained in this luminaire shall only be replaced by the manufacturer or his service agent or a similar qualified person.
- If the external flexible cable or cord of this luminaire is damaged, it shall be exclusively replaced by the manufacturer or his service agent or a similar qualified person in order to avoid a hazard.
- Maximum number/power of fittings for loop in/out power option: 25 units/1750W